

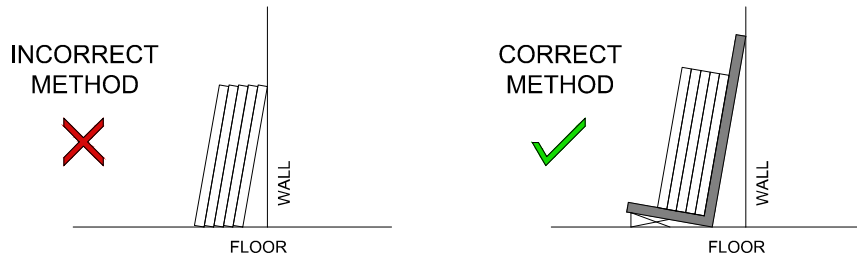
Storage Instructions

A. In Crates

Crates must be kept upright, covered, ventilated and in a dry and safe location.

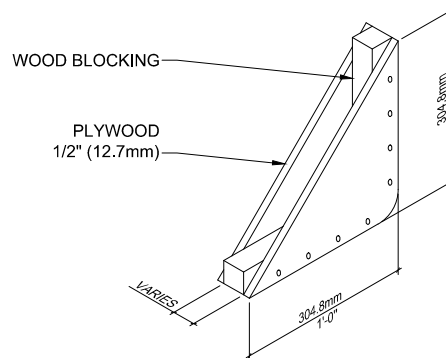
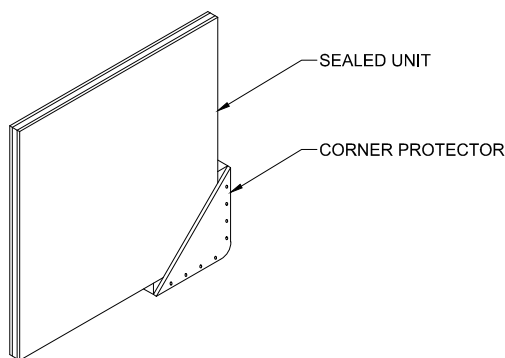
B. Loose Lots

Sealed units must be upright, on blocks and in a safe and dry location. Sealed units should not be stored in a stack, or in direct sunlight as heat build-up may cause breakage. Sealed units should have a base to provide support to all component lites of the unit so that individual lites will not slide out of alignment or out of square causing seal failure or breakage.



Handling Instructions

A. Extreme care must be taken when a unit is being moved. Edges and corners should be protected in order to prevent glass from fracturing. The use of a corner protector is suggested.



B. ViuLite® sealed glass panels should always be transported and stored with the blinds as shown in the pictures below.

